

# EVOLVE, EVOLVE-i

## Quick Reference Guide



**MN007268A01-AB**

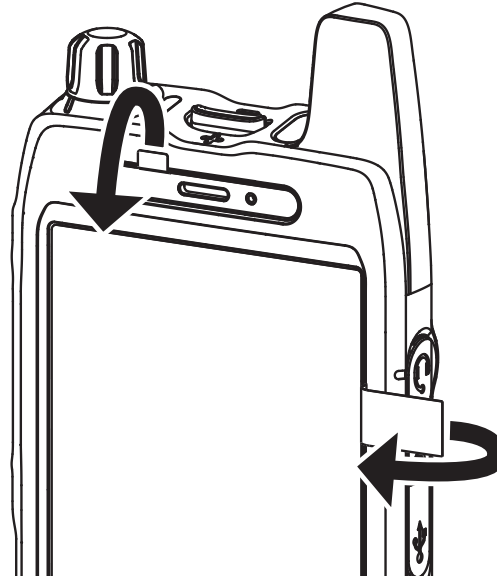
MOTOROLA, MOTO, MOTOROLA SOLUTIONS and the Stylized M Logo are trademarks or registered trademarks of Motorola Trademark Holdings, LLC and are used under license. All other trademarks are the property of their respective owners.

© 2020 and 2021 Motorola Solutions, Inc. All rights reserved.

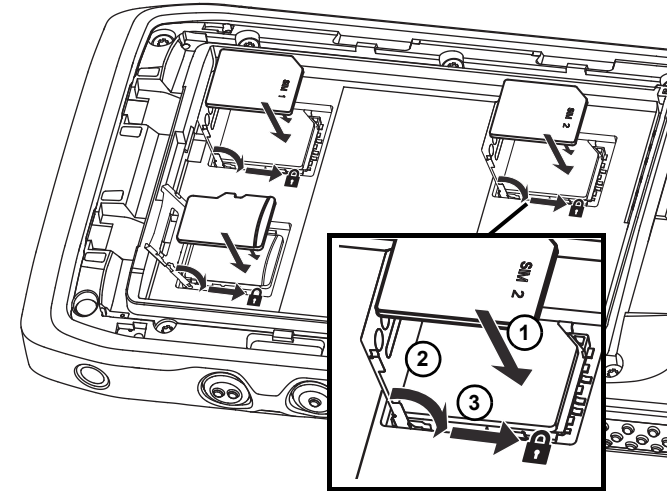
Printed in



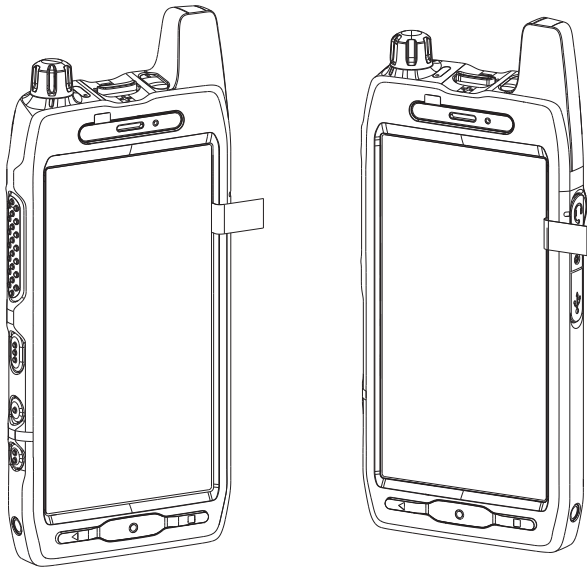
1



3



## EVOLVE, EVOLVE-i



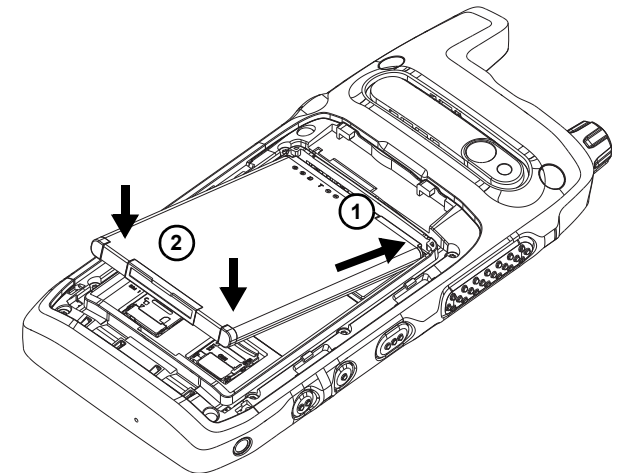
1

2

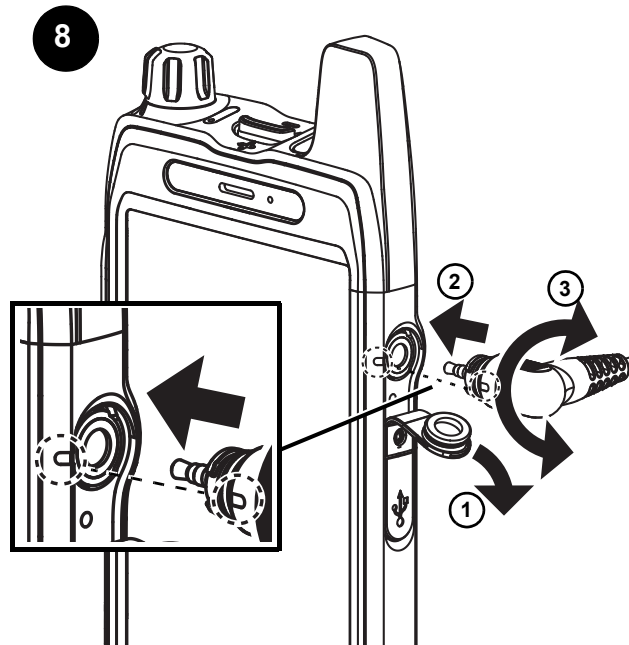
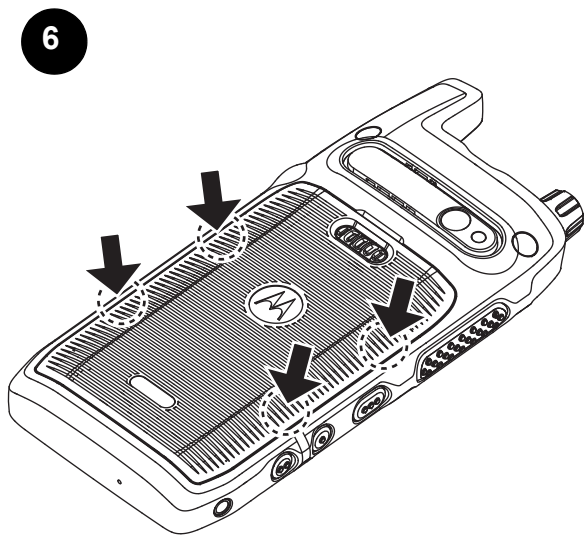
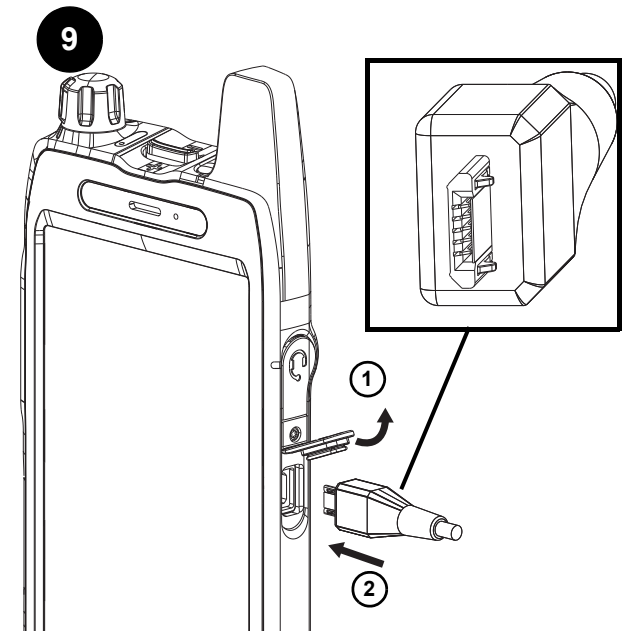
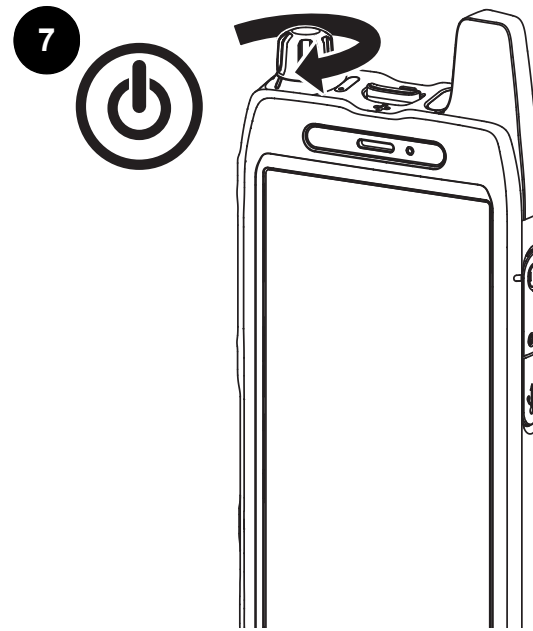
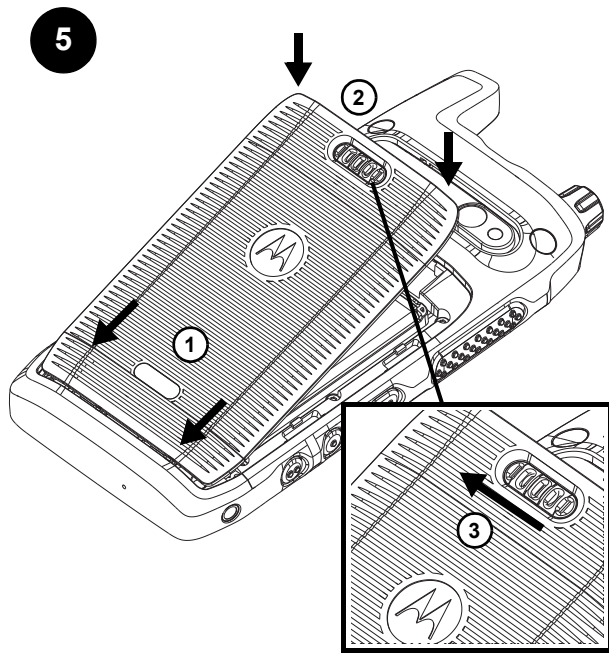


2

4



3



 **MOTOROLA SOLUTIONS**

<https://waveoncloud.com/>

<https://learning.motorolasolutions.com/>